

- Baseline V Milky LED is a fully encapsulated Vertical bending flexible linear LED.
- Available in Pro or Standard Version.
- Material: Silicone
- Bin Step: Monochromatic White LEDs Silicone: 2SDCM
- Available Single Coloured High Efficiency models.
- Available in RGBW and TW.
- L70B10 > 50000Hrs
- Available in IP67 protection rate.
- CRI > 90 for 2700/3000/3500/4000K
- Possibility to create straight or curved lines.
- Can be used both indoor and outdoor.
- Dot free lighting effect.
- IK 08 Protection.
- Can ideally be used with surface aluminium profile.

Max length with single supply:

- Monochrome: 17m (connection IM IP67), 10m (connection IP67)
- High Efficiency, TW: 5m
- RGBW: 10m (connection IM IP67), 5m (connection IP67)

Lighting management options:

On-Off/DALI/0..10V/1..10V/DMX512/PHASE CUT/IR/RF/PUSH BUTTON/Bluetooth

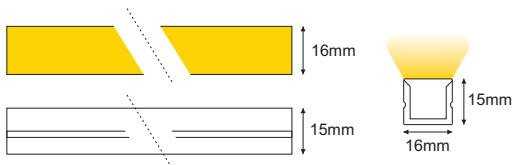
- ✓ UV Resistant
- ✓ Chemical Resistant

- > Please verify the contents of the packages.
- > Please read the instructions entirely before starting installation.
- > Be sure power is turned off before installing the system.

Warnings: risk of product damage

- > BASELINE V must not be bent at less than 240mm, or damage will result.
- > Do not allow BASELINE V to twist or bend in the wrong direction.
- > During the installation, the BASELINE H can not be: Dropped, Bent at a 90° angle or bent at all, Sagging/Hanging down

Dimensions

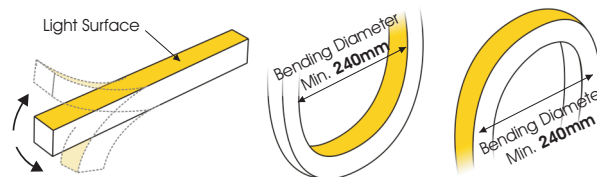


Cutting points: Single & TW every 50mm, RGBW every 125mm
Please confirm with the ≧ sign on the rear side of the modules

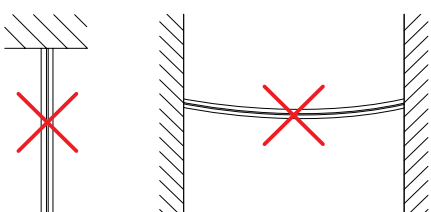
Note: Cutting the product without the appropriate endcap and tools by a non-authorized person will result to a loss of the IP protection, causing water leakage and failure.

Bending

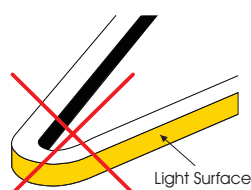
Vertical bending



Do not hang

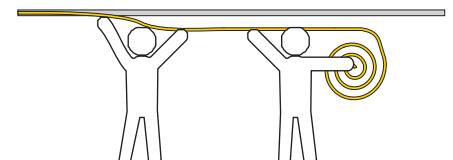


Do not Bend too tight



Installation note

BASELINE V must be installed with two people. One to press the luminaire into the profile and the other to hold the reel and unroll it while keeping the BASELINE TWIST flex body straight.

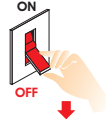


Installation

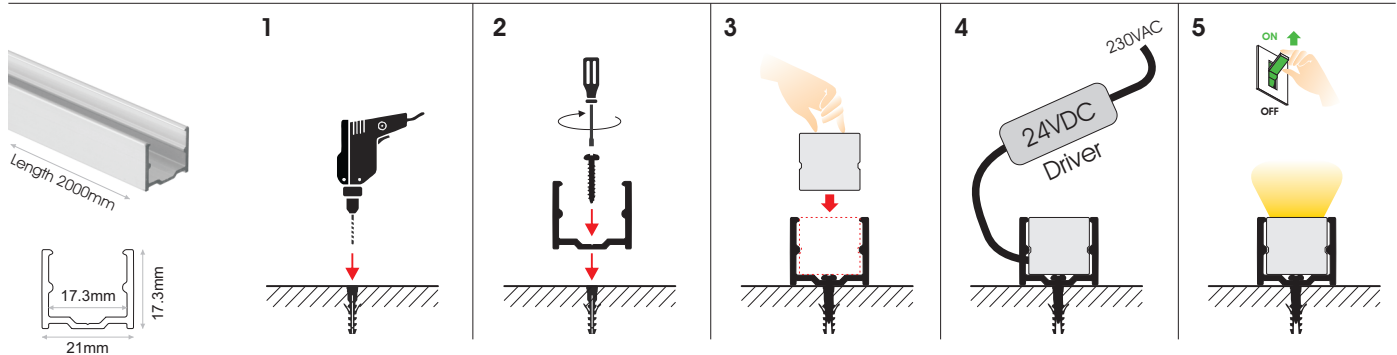


Attention

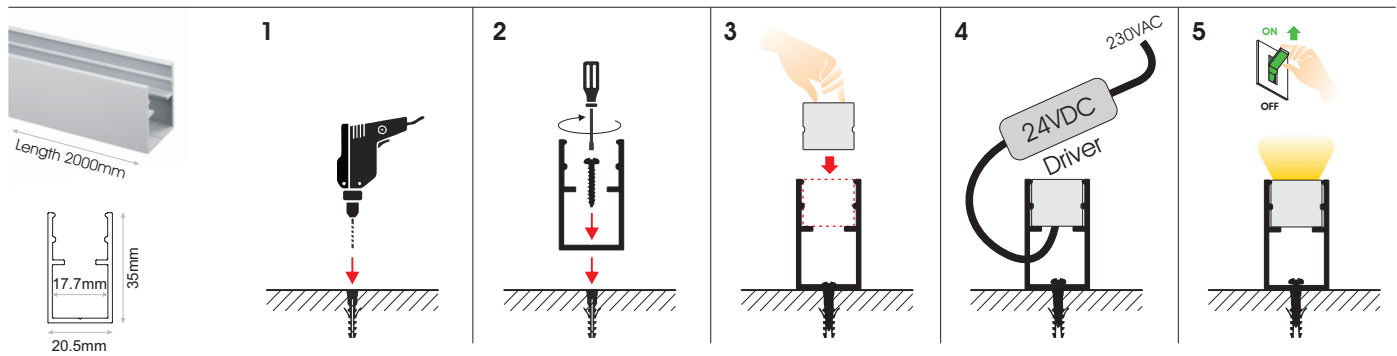
Before any maintenance switch off the main power.



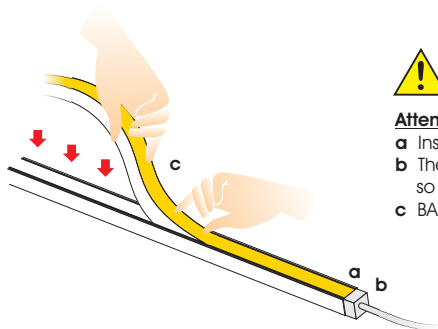
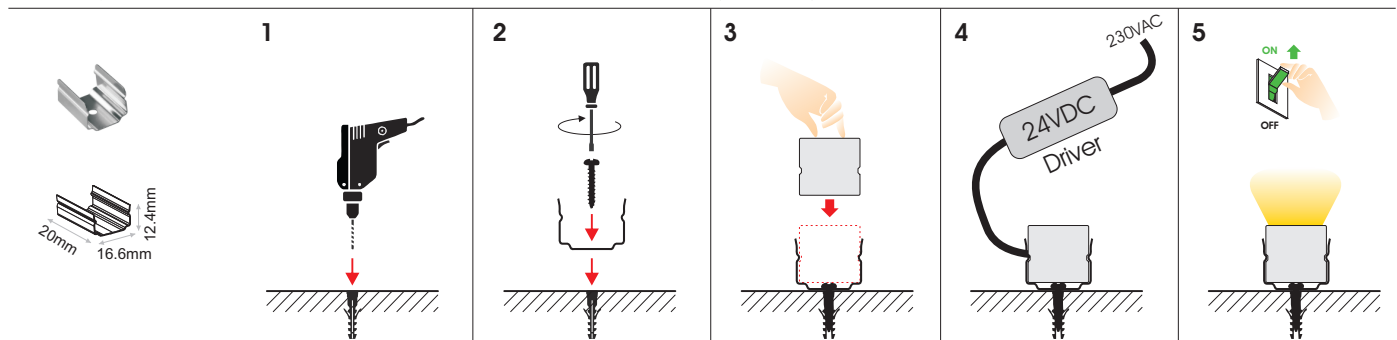
BASELINE V & BASELINE TWIST Aluminium Profile Anodized (PRF.421)



BASELINE V Aluminium Profile Anodized (PRF.169)



Mounting Clips stainless steel 316 for BASELINE V & BASELINE TWIST (PRH.088)



Attention

- a Insert BASELINE into mounted profile starting from power connector end.
- b The End Cap and Power Feed Connector do not fit within the profile so cut the Mounting profile so that connectors and End Caps will overhang outside the ends of the profile.
- c BASELINE should be pressed into the profile carefully and gradually, without excessive bending or damage will result.

Connection IP67

Side Feed



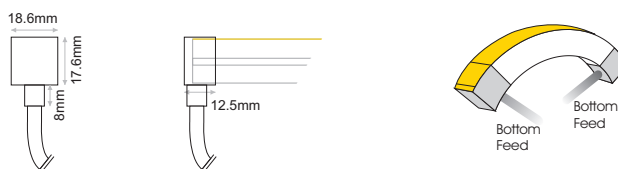
Code for Single Colour	Code for RGBW	Code for TW	Description	Length
BSL.301	BSL.315	BSL.318	Side Feed BASELINE IP67	L=0.3m



Bottom Feed



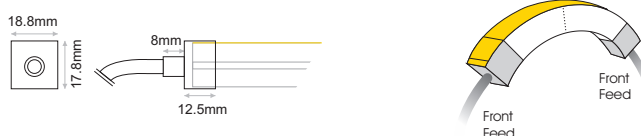
Code for Single Colour	Code for RGBW	Code for TW	Description	Length
BSL.302	BSL.316	BSL.319	Bottom Feed BASELINE IP67	L=0.3m



Front Feed



Code for Single Colour	Code for RGBW	Code for TW	Description	Length
BSL.300	BSL.317	BSL.320	Front Feed BASELINE IP67	L=0.3m



End Cap



Code	Description
BSL.303	End Cap BASELINE IP67



How to cut and assemble BASELINE



Attention

Before any maintenance switch off the main power.

